

UD505DUK



Professional undercounter dishwasher, single skinned, 500 x 500mm basket

Product Family	Dishwashers
Type	Undercounter Dishwasher
Line	ECOLINE
Basket dimensions	500 x 500mm
Outside dimensions (WxDxH)	580 x 600 x 820mm

TECHNICAL SHEET

TECHNICAL DATA

Structure: Single skinned in AISI 304 stainless steel

Required electrics and fuse protection: 1ph 5.7kW 25A / 3ph 5.7kW 16A / 1ph 4kW 20A / 1ph 2.7kW 13A

Control type: Electronic soft touch controls

WRAS compliant break tank: Yes

Basket dimensions: 500 x 500mm

Baskets per hour: 40 / 24 / 15

Number of programs: 3

Thermo-acoustic insulation: Door

Rinse aid dispenser: Peristaltic pump with electronic adjustment via the control panel

Detergent dispenser: Peristaltic pump with electronic adjustment via the control panel

Useable loading height: 365mm

Wash tank capacity: 13L

Boiler capacity: 6L

Boiler heating element: 5kW 1ph / 5kW 3ph / 3.3kW 1ph / 1.7kW 1ph

Wash tank heating element: 2.0kW

Inlet water maximum temperature: 60°C

Outside dimensions (WxDxH): 580 x 600 x 820mm

Power supply / Total power installed: 400V 3N 50 Hz / 5.7kW - 230V 1N 50Hz / 5.7kW - 230V 1N 50Hz / 4.0kW - 230V 1N 50Hz / 2.4kW

Weight (net/gross): 55 / 63kg

Integral continuous water softener: no

Wash system: Wash pump with 'Soft start' system

Wash pump: 0.7kW

Rinse system: Atmospheric boiler and rinse pump (HTR system)

Drain system: Drain pump and four stage filter system with partial water exchange in the wash tank

Filtering system: Full width 2 piece plastic top wash tank filter with double stage filtration in the sump and additional micro filter for wash pump protection

Water consumption per cycle: 3.2L

Wash and rinse arms: 2 x combined wash and rinse arms with quick release system

Insulated double skinned door

Selectable: FRESH WATER function for complete wash tank water replacement after each wash cycle

Selectable: EXTENDED-RINSE function for a prolonged rinse

Thermostop for controlling the rinse water temperature

Self-diagnosis system with fault warning

Moulded basket guides

Drain pipe on the boiler for complete drainage

'Stand-by' function of the heating elements during periods of non-use

Connection to water mains with a 3/4 threaded fitting on the back of the appliance

Self cleaning cycle available as standard

Cycle automatically starts when closing the door/hood (optional)

Adjustable feet

ACCESSORIES

[PB50D01](#) - Plastic basket for dishes, max 18 pieces Ø 250mm

[PB50G01](#) - Plastic universal flat-bottomed basket

[WB50D01](#) - Wire basket for 18 dishes Ø 250mm and self-service trays

[WB50G01](#) - Wire fine-mesh flat-bottomed basket

[WB50G03](#) - Wire basket with angled bottom for stem glasses Ø max 72mm

[WB50G04](#) - Wire basket with angled bottom for stem glasses Ø max 120mm

[WB50T02](#) - Wire basket for 7 x 1/1 GN trays, max 20mm deep

[PHOOS01](#) - Plastic single cutlery basket

[PHOOS02](#) - Plastic cutlery basket with 6 compartments

[PHOOS03](#) - Plastic cutlery basket with 8 compartments

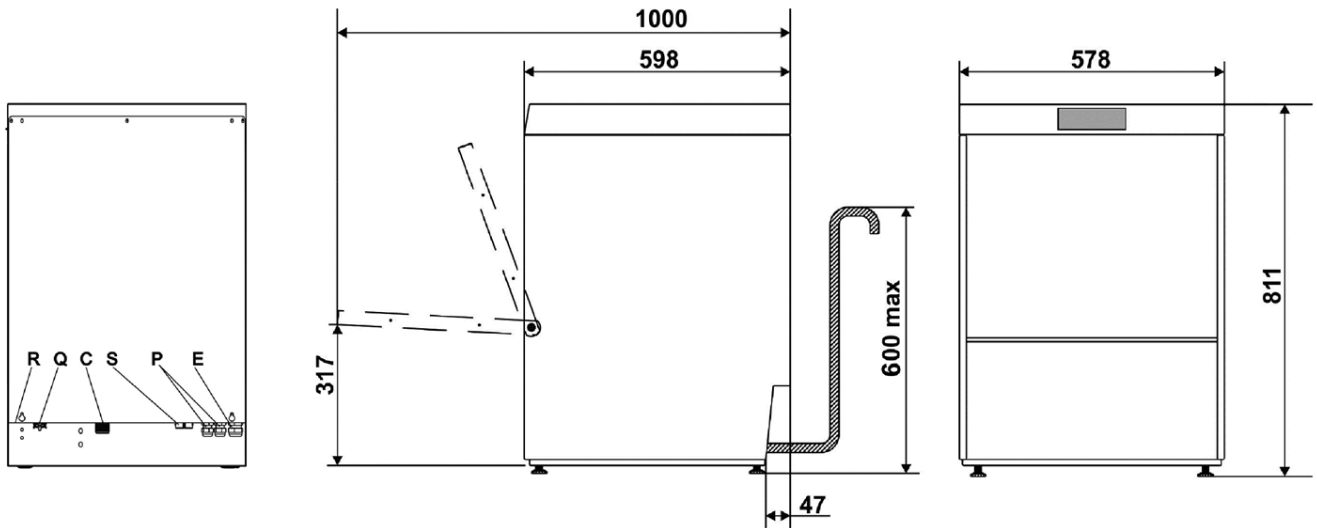
[WS5](#) - Stand for 500 x 500mm basket glasswasher / dishwasher

EQUIPMENT

1 [PB50D01](#) - Plastic basket for dishes, max 18 pieces Ø 250mm

1 [PB50G01](#) - Plastic universal flat-bottomed basket

1 [PHOOS02](#) - Plastic cutlery basket with 6 compartments



Q	MORSETTO EQUIPOTENZIALE EARTH TERMINAL
E	CAVO ALIMENTAZIONE ELETTRICA ELECTRICITY SUPPLY CABLE
C	TUBO DI CARICO FILLER HOSE
P	TUBI POMPE PERISTALTICHE PERISTALTIC HOSES
T	ENTRATA CAVO DI ALIMENTAZIONE DOSATORE ESTERNO EXTERNAL DISPENSER POWER CABLE ENTRY POINT
S	TUBO DI SCARICO DRAIN HOSE
R	PANNELLO RETRO LOWER BACK PANEL